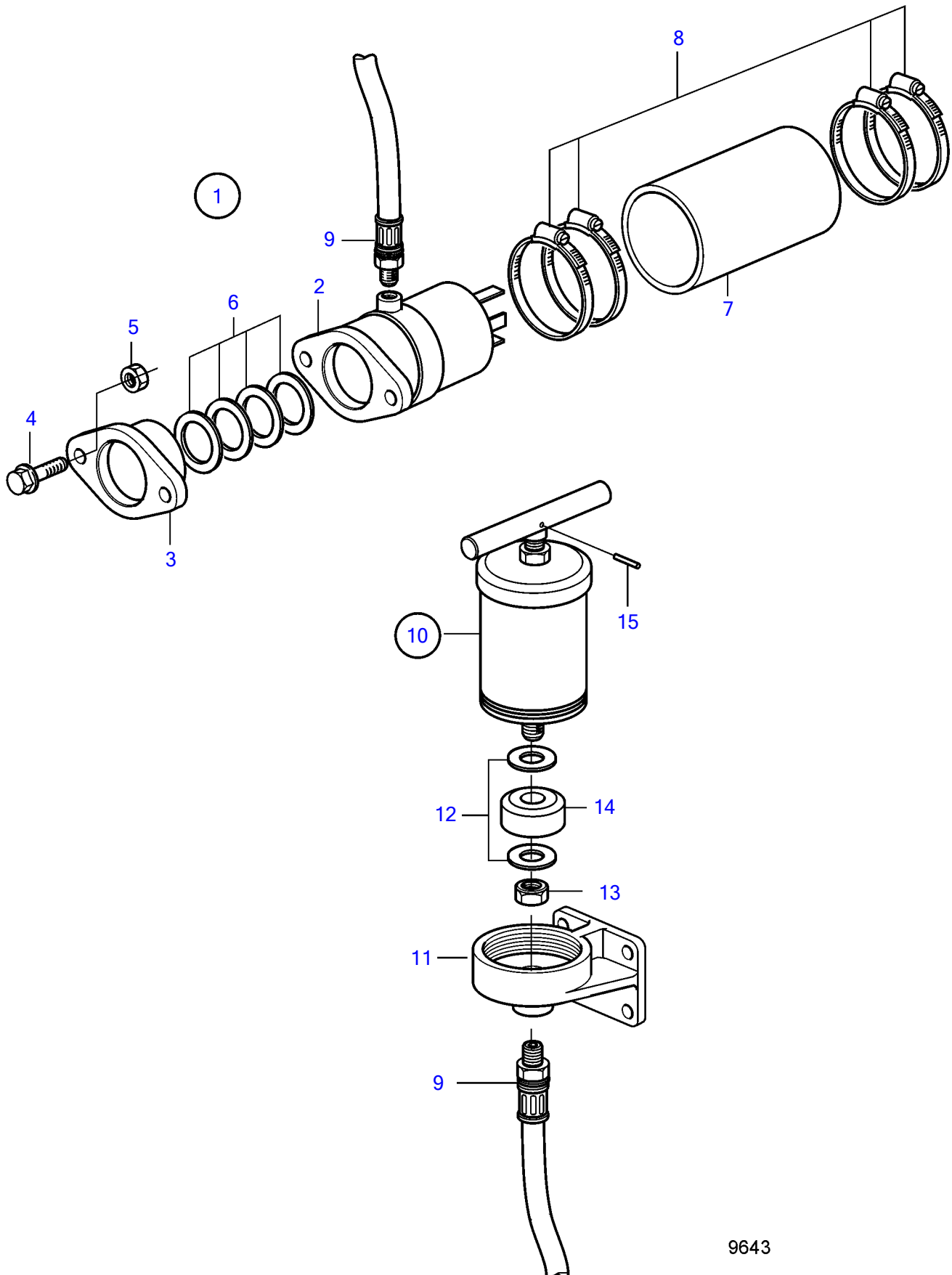


AD31L-A, AD31P-A, AD41L-A, AD41P-A, D41L-A, TAMD31L-A, TAMD31M-A, TAMD31P-A, TAMD31S-A, TAMD41H-A, TAMD41H-B, TAMD41P-A, TAMD41L-A, TAMD41M-A, TMD31L-A, TMD41L-A



9643

AD31L-A, AD31P-A, AD41L-A, AD41P-A, D41L-A, TAMD31L-A, TAMD31M-A, TAMD31P-A, TAMD31S-A, TAMD41H-A, TAMD41H-B, TAMD41P-A, TAMD41L-A, TAMD41M-A, TMD31L-A, TMD41L-A

REF	PART NO.	QTY	DESCRIPTION	NOTES
1	859017	1	Stuffing box	D=45mm
2	(828191)	1	• Stuffing box	Obsolete part
3		1	• Gland	
4	963568	2	• Hexagon screw	
5	17624	2	• Hexagon nut	
6	859028	4	• Box gasket	
7	(828172)	1	• Hose	Obsolete part
8	961674	4	• Hose clamp	
9	833842	1	• Hose	
10	827184	1	• Grease press	
11		1	• • End cover	
12	948087	2	• • Washer	
13	950354	1	• • Lock nut	
14	815579	1	• • Leather cuff	
15	(907173)	1	• • Grooved pin	Obsolete part